



street and solar cell
(street and solar)

05 >

street and solar cell

STREET & SOLAR CELL

street light series

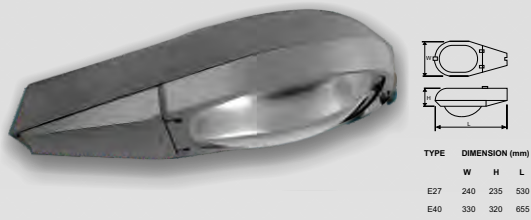


IP65

nama produk	tegangan	daya	frekuensi	power factor	power efisiensi
W SL LED 50W H 5123 LC	70 ~ 285 VAC 8 ~ 24 VDC (Solar Panel Enabled)	50W	50 ~ 60 Hz	≥ 0.90	≥ 90%
LED Efisiensi : ≥ 100 lumens/watt, Beam Angel : ≥ 120°, LED Lifetime : 50.000 hours, Material : Alumunium Alloy					
W SL LED 100W H 5124 LC	70 ~ 285 VAC 8 ~ 24 VDC (Solar Panel Enabled)	100W	50 ~ 60 Hz	≥ 0.90	≥ 90%
LED Efisiensi : ≥ 100 lumens/watt, Beam Angel : ≥ 120°, LED Lifetime : 50.000 hours, Material : Alumunium Alloy					
W SL LED 150W H 5125 LC	70 ~ 285 VAC 8 ~ 24 VDC (Solar Panel Enabled)	150W	50 ~ 60 Hz	≥ 0.90	≥ 90%
LED Efisiensi : ≥ 100 lumens/watt, Beam Angel : ≥ 120°, LED Lifetime : 50.000 hours, Material : Alumunium Alloy					
W SL LED 40W H 5121 LC	70 ~ 285 VAC 8 ~ 24 VDC (Solar Panel Enabled)	40W	50 ~ 60 Hz	≥ 0.90	≥ 90%
LED Efisiensi : ≥ 100 lumens/watt, Beam Angel : ≥ 120°, LED Lifetime : 50.000 hours, Colour Temperature : 2700K, 3000K, 6000K, 6500K, Material : Alumunium Alloy					
W SL LED 60W H 5122 LC	70 ~ 285 VAC 8 ~ 24 VDC (Solar Panel Enabled)	60W	50 ~ 60 Hz	≥ 0.90	≥ 90%
LED Efisiensi : ≥ 100 lumens/watt, Beam Angel : ≥ 120°, LED Lifetime : 50.000 hours, Colour Temperature : 2700K, 3000K, 6000K, 6500K, Material : Alumunium Alloy					



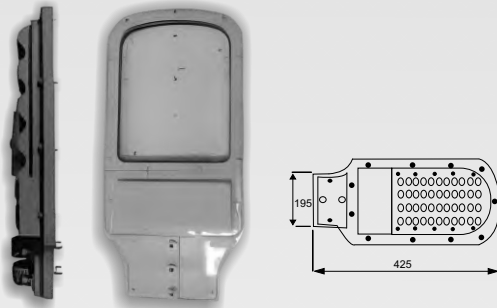
W SL COBRA H 5119 LC



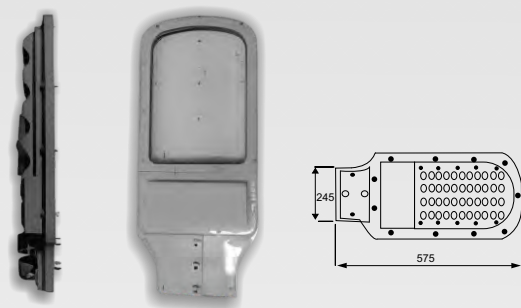
W SL COBRA H 5120 LC



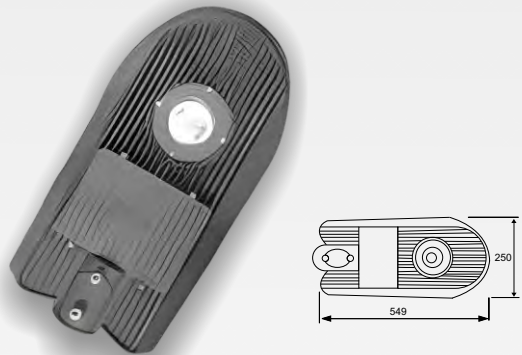
W SL LED 40W H 5121 LC



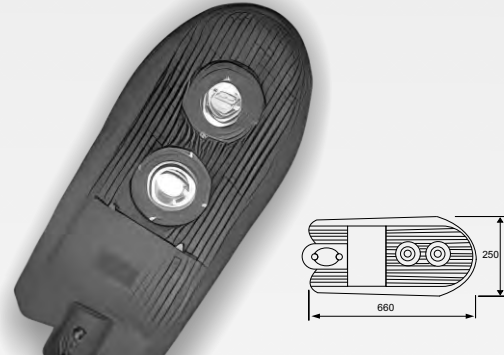
W SL LED 60W H 5122 LC



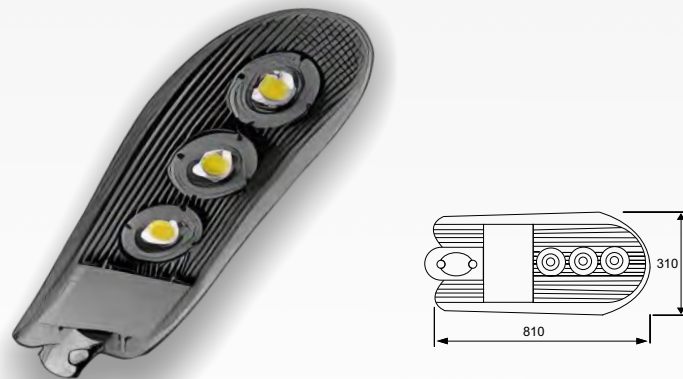
W SL LED 50W H 5123 LC



W SL LED 100W H 5124 LC



W SL LED 150W H 5125 LC



downlight series

office light

outdoor luminaire

flood and spot light

street and solar cell

wall and pendant